

# Linde Standard Pressure Regulators



**Linde**  
EN ISO 2503  
DIN ACE A2-1,5bar

# Contents.

- 3 Applications
- 4 Product concept
- 5 Innerdesign
- 6 User-important features
- 7 Feature in details
- 9 Product marking
- 10 Product variants
- 11 Benefits
- 11 Testing & Certification

The Linde Group is a world-leading gases and engineering company. With over 62,000 employees working in more than 100 countries worldwide, we are the partner of choice for industrial cutting, welding and heating projects – always delivering value through our passion for excellence.

Our gas application technologies, innovative cutting, welding and heating equipment and robust hard goods set quality and performance standards worldwide. These are complemented by a broad, individualised service offering that adds value to our customers' production processes and helps them secure a competitive advantage.

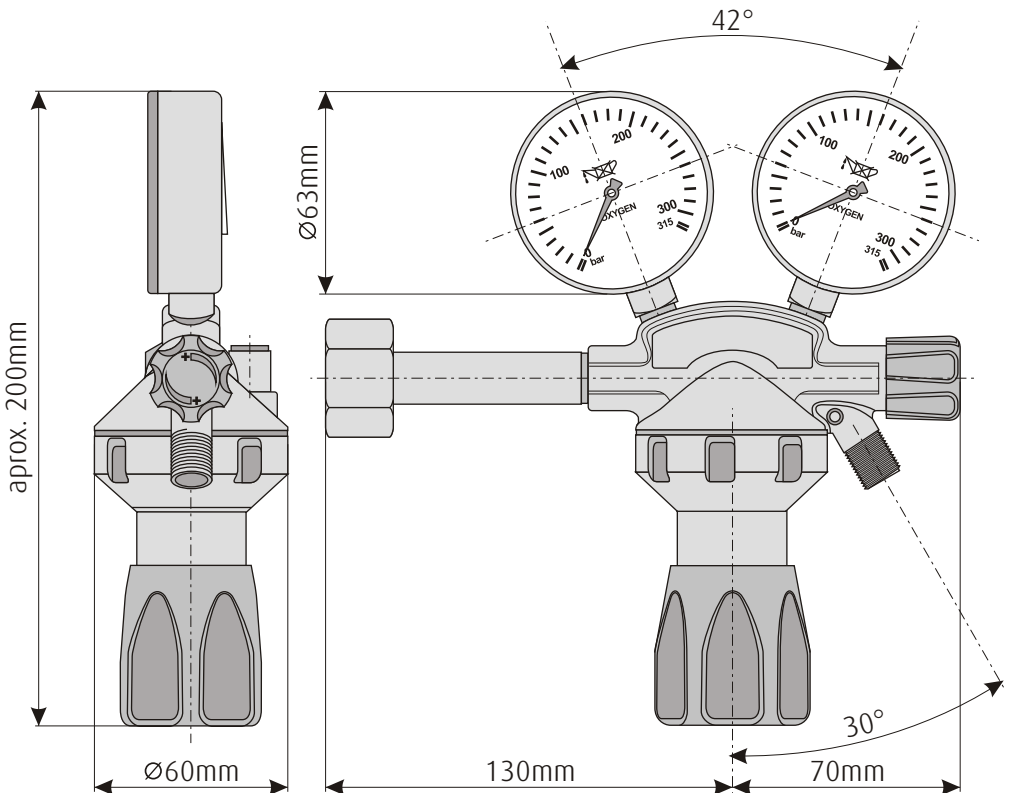
State-of-the-art R&D facilities and sophisticated manufacturing capabilities reflect our commitment to ongoing innovation. Technology breakthroughs such as the encapsulated valve, used exclusively in Linde regulators, is just one example of how we bring productivity and efficiency gains to our customers – the world over.

# Applications.

- Gas supply for flame cutting & welding processes
- Control of shielding protection of arc-welding processes
- Pneumatic power control & supply
- Pressurizing and Inflation (lifting bags)
- Power supply for fire extinguishing systems
- Process gas supply in chemical industry
- Beer - pushing from cellar to faucet
- Post-mixing of CO<sub>2</sub> into soft drinks

# Product concept.

1. Fully complying EN ISO 2503
2. Single-stage, diaphragm design
3. Diaphragm diameter over 53 mm
4. Sturdy, robust, durable
5. Forged brass body
6. Oxygen-shock tested & certified
7. Assembled and tested



# Inner design.

EN ISO 5171 compatible pressure gauges

Particle-sealed encapsulated valve

Safe metal-to-metal inlet HP connection

Dual layer reinforced EPDM diaphragm

Zinc-alloy powder painted bonnet (high corrosion resistance)

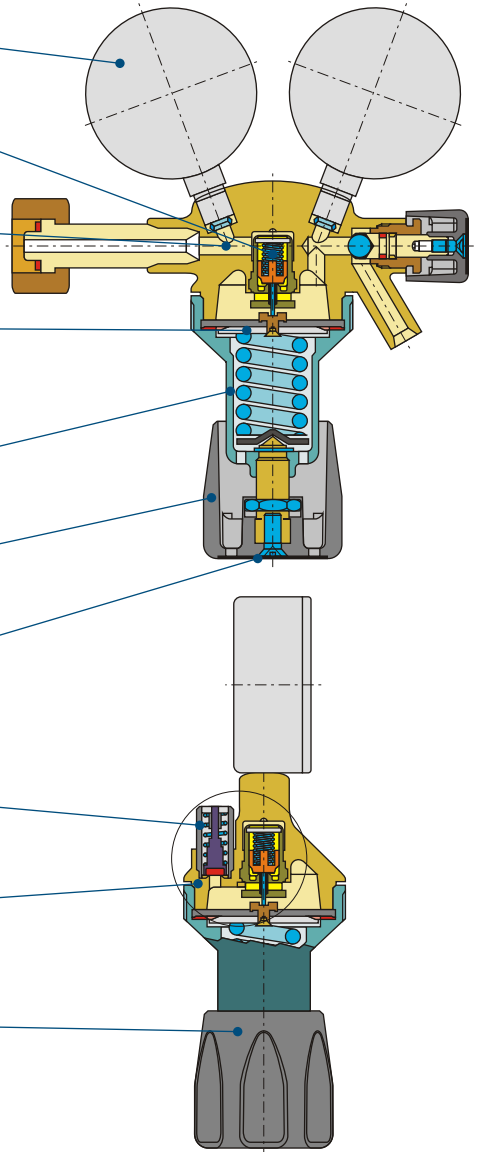
PA Handwheel allowing lock

Gas color-coded handwheel labels

Fix-set safety valve (can't be readjusted by end user)

Robust forged-brass body

Non-detachable PA handwheel (in accordance with EN ISO 2503)



# User-important features.

Easy-legible & safe 63 mm pressure gauges

High quality brass inlet stem & connection nut

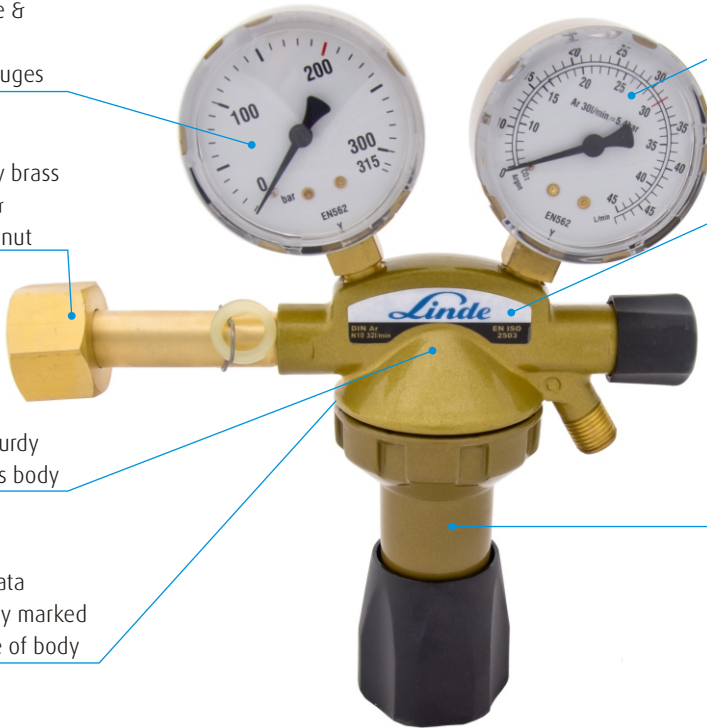
Robust & sturdy forged brass body

Technical data permanently marked on rear side of body

Dual-scale Ar/CO<sub>2</sub> flowmeter

Linde marking/branding

Corrosion-resistant metal bonnet



Color-coded body label with basic technical data



# Features in details.

## Encapsulated valve:

- Time-proven concept
- Filtration of gas near to crucial seat area
- Assembled & pre-tested in controlled environment
- Different designs & material combination for different gases



## Safety valve (PRV):

- Not-adjustable => tamper-proof => passive safety
- Positioned on the rear side to be better shielded
- Corrosion resistant
- Impact type-tested
- Capacity exceeds ISO 2503



## Shut-off valve:

- To be used for short work interruptions only
- FPM o-ring = gas compatibility
- No-maintenance/lubrication needed
- Type tested up to 50 Bar





### Pressure Gauges:

- Conforming EN 562 / ISO 5171
- Diam. 63 mm (2,5")
- Safe venting design
- Tested by professional staff



### Control Handwheel:

- Ergonomic grip
- Non-detachable
- System for limitation
- Impact resistant
- Auto-extinguishing material





# Product marking.

## Body label:

- Gas type
- Inlet pressure
- Outlet pressure
- EN-ISO 2503



## Information stamped on back:

- Gas type
- Inlet pressure
- Outlet pressure/flow
- Class
- Encrypted date of production
- Serial number



# Product variants.

#	Service Gas	Inlet Pressure	Outlet Pressure	Color Code	EN ISO 2503 Classification
1	Argon / CO2	200 bar	30 l/min	Black	Class N10
2	Argon	200 bar	30 l/min	Black	Class N10
3	CO2	200 bar	30 l/min	Black	Class N10
4	CO2	200 bar	10 bar	Black	Class N3
5	OXYGEN	200 bar	10 bar	Blue	Class O3
6	Acetylene	25 bar	1,5 bar	Red	Class A2
7	NITROGEN	200 bar	10 bar	Green	Class N3
8	NITROGEN	200 bar	30 bar	Green	Class N5*
9	PROPANE	25 bar	4 bar	Yellow	Class P1



# Benefits.

## Safety

- Safety guaranteed on high pressures
- Oxygen compatible design

## Quality

- Reduced risks and features that help you in operation

## Availability

- Available in all distribution centres

## Support

- Our team can help you with their expertise

# Testing & certification.

- Type tested acc. To EN ISO 2503 in Germany, Material Testing Institute BAM Berlin (2000)

- Oxygen compatibility tested and certified up to 300 bar by Det Norske Veritas (2001)

- Acetylene versions tested for acetylene decomposition in BAM Berlin (1998/9)

**Linde AG**

Linde Gases Division, Seitnerstrasse 70, 82049 Pullach, Germany  
Phone +49.89.74462399, Fax +49.89.74462071,  
[www.linde-gas.com](http://www.linde-gas.com), [office@linde-gas.com](mailto:office@linde-gas.com)