

# M24 MIG/MAG-Welding Torch.

## The robust high-quality classic torch



### MIG/MAG-Welding Torch

#### The robust high-quality classic torch:

Top quality throughout the world  
Ergonomic and technically matured and 100% reliable  
Optimum torch cooling - high endurance  
Time-saving torch replacement thanks to EURO connector

LINDE welding torches incorporate the high quality and technology needed for trouble-free performance whatever the welding job. All the torches have been thought through down to the last detail and guarantee exact and comfortable work.

### M24 (air cooled)

The tried and trusted quality torch for use through the whole application area of apparatus, vehicle, machine and steel constructions.

#### Arguments speaking for themselves:

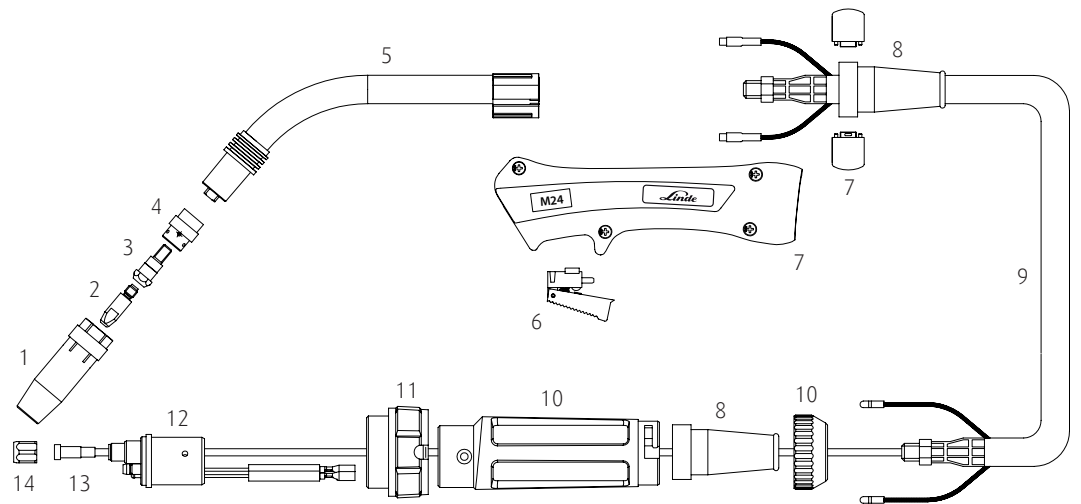
- Optimum torch cooling - high endurance
- Ergonomically designed handle system - optimum handling in every position
- Ball joint with optimum transaction radius – perfect handling
- Light and highly flexible cable assembly makes low-fatigue possible
- Robust construction for durability and extended torch life

#### Technical data according to EN 60 974-7:

Cooling: air cooled  
Rating: 250 A CO<sub>2</sub>  
220 A mixed gas M21 according to DIN EN 439  
35% duty cycle  
Wire-Ø: 0.8 – 1.2 mm

Rated using power source with VDE standard volt/amp characteristic ( $U=14+0.05xI$ ). When pulse welding, reduce rating by 35%.

## Wear- and Sparepart List



## MIG/MAG-Welding Torch

Type	Linde PN
M24 – 3.0m	51/312008-L
M24 – 4.0m	51/312009-L
M24 – 5.0m	51/312015-L

## Wear parts

Pos.	Description			Linde PN
1	Gas Nozzle	cylindrical	Ø 17 x 63.5 mm	50/022400-L
	Gas Nozzle	conical	Ø 12.5 x 63.5 mm	50/022402-L
	Gas Nozzle	tapered	Ø 10 x 63.5 mm	50/022404-L
2	Contact tip	E-Cu	Ø 0.8 x 28 mm, M6	50/001302-L
	Contact tip	E-Cu	Ø 1.0 x 28 mm, M6	50/001304-L
	Contact tip	E-Cu	Ø 1.2 x 28 mm, M6	50/001305-L
	Contact tip	E-Cu für Al	Ø 0.8 x 28 mm, M6	50/003302-L
	Contact tip	E-Cu für Al	Ø 1.0 x 28 mm, M6	50/003304-L
	Contact tip	E-Cu für Al	Ø 1.2 x 28 mm, M6	50/003305-L
	Contact tip	CuCrZr	Ø 0.8 x 28 mm, M6	50/002302-L
	Contact tip	CuCrZr	Ø 1.0 x 28 mm, M6	50/002304-L
	Contact tip	CuCrZr	Ø 1.2 x 28 mm, M6	50/002305-L
3	Contact tip holder		M6x28 mm	50/012401-L
4	Gas diffusor		Standard	50/030240-L
	Gas diffusor		Ceramic	24/00009-L
5	Swan neck M24 complete			50/040024-L
6	Trigger			58/000044-L
7	Handle complete with ball joint			58/000105-L
8	Cable support, small			58/000048-L
9	Coaxial cable 3.0m			58/000057-L
	Coaxial cable 4.0m			58/000058-L
	Coaxial cable 5.0m			58/000059-L
10	Cable support machine side complete			58/000049-L

Adress of the respective country

---

**Wear parts**

Pos.	Description	Linde PN
11	Adaptor nut M33x2	58/000024-L
12	Central connector	58/000050-L
13	Liner insulated                    Ø 0.8 for 3 m	50/054001-L
	Liner insulated                    Ø 1.0 for 3 m	50/054004-L
	Liner insulated                    Ø 1.2 for 3 m	50/054004-L
	Teflon liner                        Ø 0.8 for 3 m	50/055001-L
	Teflon liner                        Ø 1.0 for 3 m	50/055002-L
	Teflon liner                        Ø 1.2 for 3 m	50/055002-L
	Liner insulated                    Ø 0.8 for 4 m	50/054002-L
	Liner insulated                    Ø 1.0 for 4 m	50/054005-L
	Liner insulated                    Ø 1.2 for 4 m	50/054005-L
	Teflon liner                        Ø 0.8 for 4 m	50/055004-L
	Teflon liner                        Ø 1.0 for 4 m	50/055005-L
	Teflon liner                        Ø 1.2 for 4 m	50/055005-L
	Liner insulated                    Ø 0.8 for 5 m	50/054003-L
	Liner insulated                    Ø 1.0 for 5 m	50/054006-L
	Liner insulated                    Ø 1.2 for 5 m	50/054006-L
	Teflon liner                        Ø 0.8 for 5 m	50/055007-L
	Teflon liner                        Ø 1.0 for 5 m	50/055008-L
	Teflon liner                        Ø 1.2 for 5 m	50/055008-L
14	Nut M10x1	58/000041-L

Adress of the respective country

---

---

Address of the respective country

---